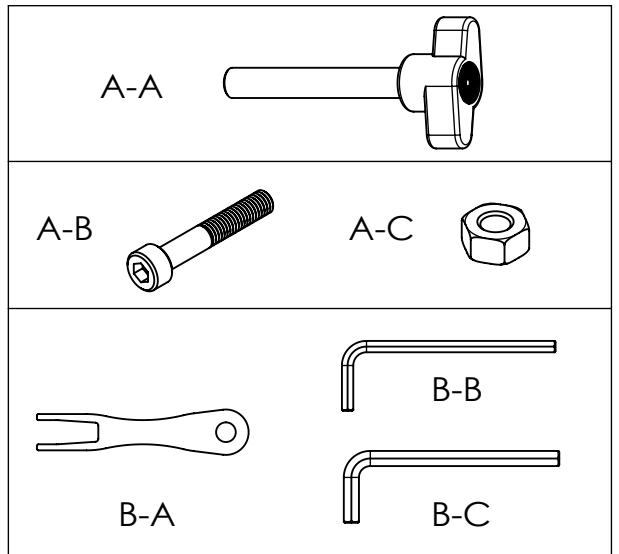
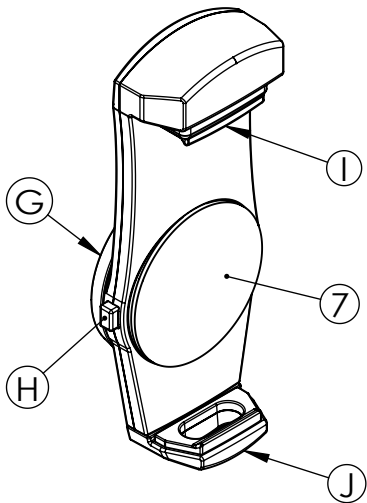
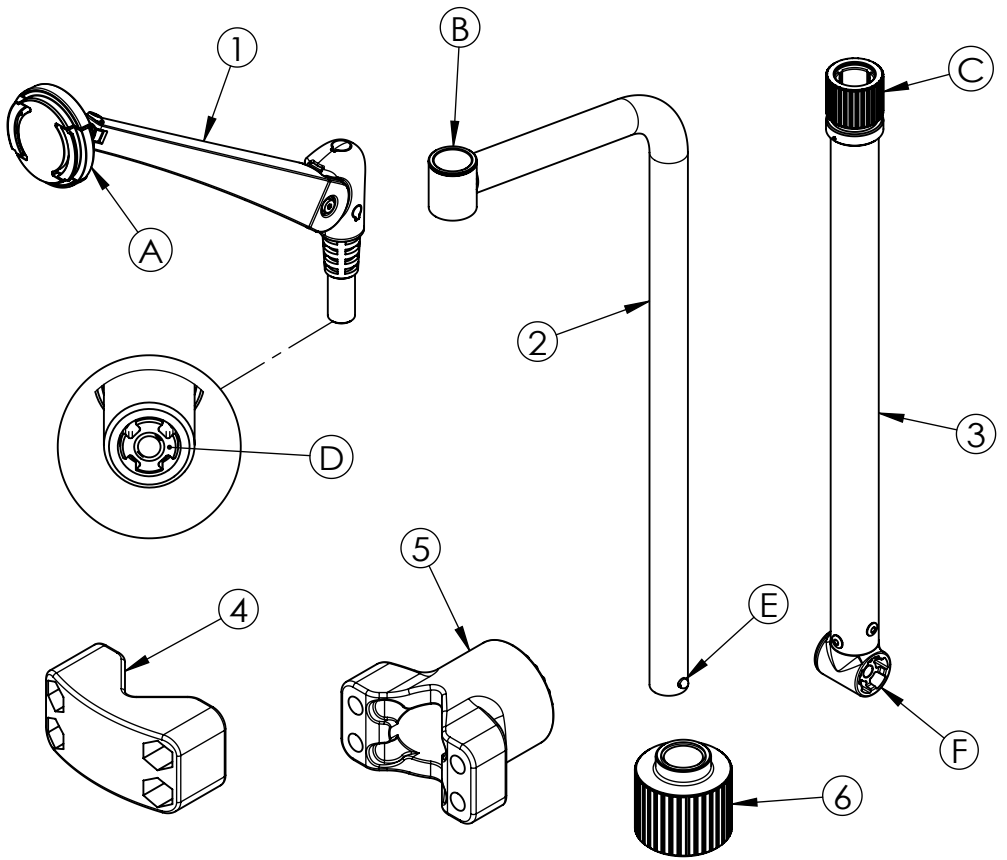
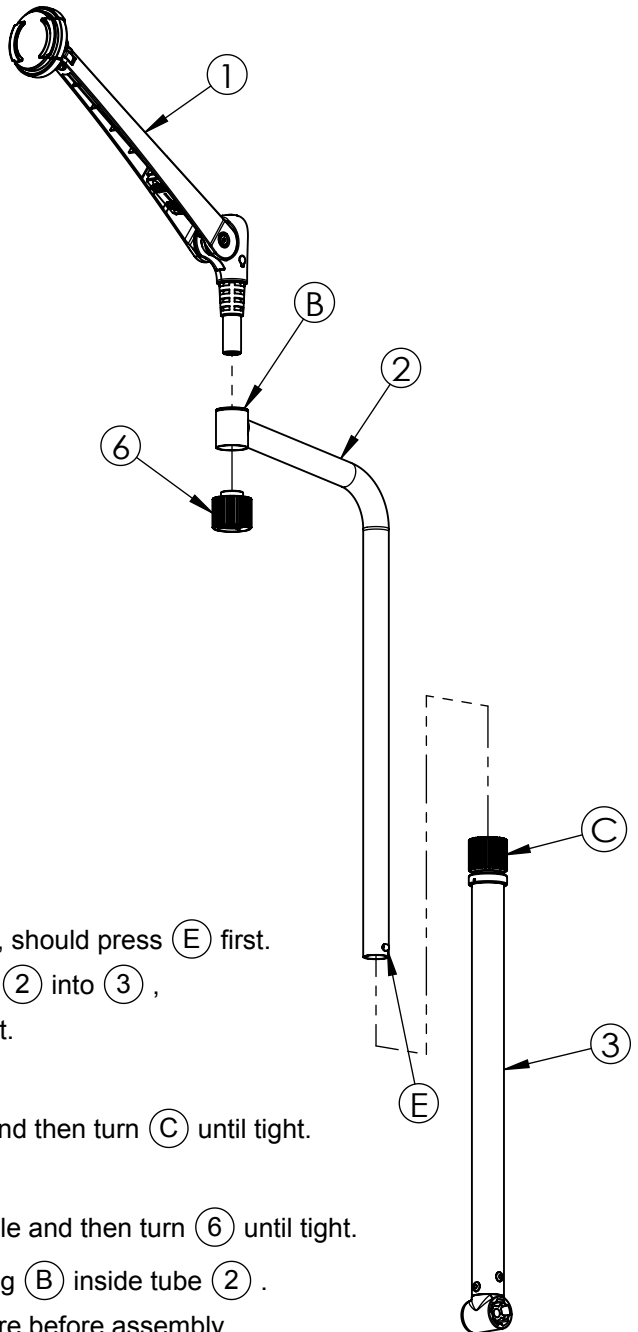


M154BK10AR
Installation Instruction



Product Component		
Item	Description	Qty.
1	Arm	1
2	Adjustable Tube	1
3	Bottom Tube	1
4	Clip holder-1	1
5	Clip holder-2	1
6	Knob	1
7	Universal Holder	1
Hardware Kit		
A-A	M8 Knob	1
A-B	M5*30mm Hexagon Socket Screws	4
A-C	M5 Nut	4
B-A	Wrench	1
B-B	3mm Allen Wrench	1
B-C	4mm Allen Wrench	1

Special Function	
Item	Description
A	Attachment Button
B	Bushing
C	Knob
D	Nut
E	V Shape Spring- Single Side Bead
F	Rotatable Holder
G	Attachment Socket
H	Button for Vertical Extension
I	Up Bracket
J	Down Bracket



Installation steps :

※ Before insert ② into ③ , should press ⑤ first.

After press ⑤ and insert ② into ③ ,
it is unable to draw ② out.

1. Insert ② into ③ .

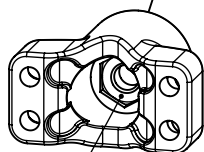
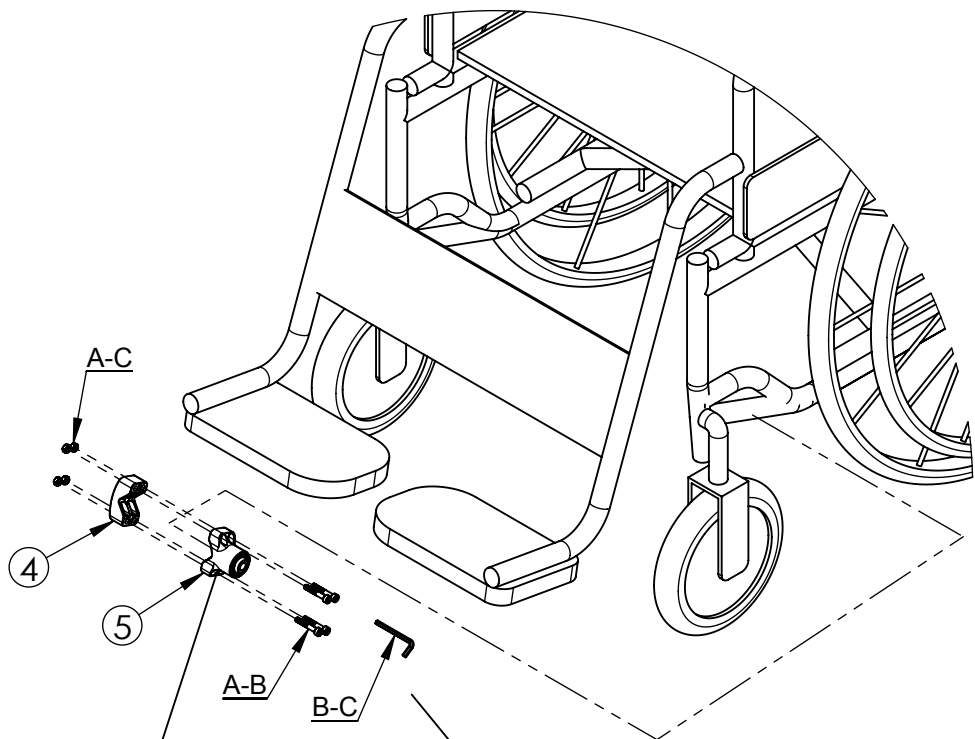
Adjust the desired height and then turn ④ until tight.

2. Insert ① into ② .

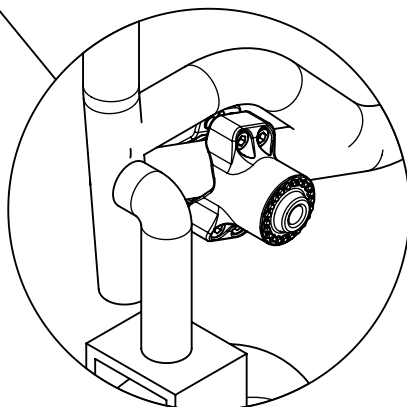
Adjust the desired view angle and then turn ⑥ until tight.

Note : There is plastic bushing ⑤ inside tube ② .

Check if ⑤ is still there before assembly.



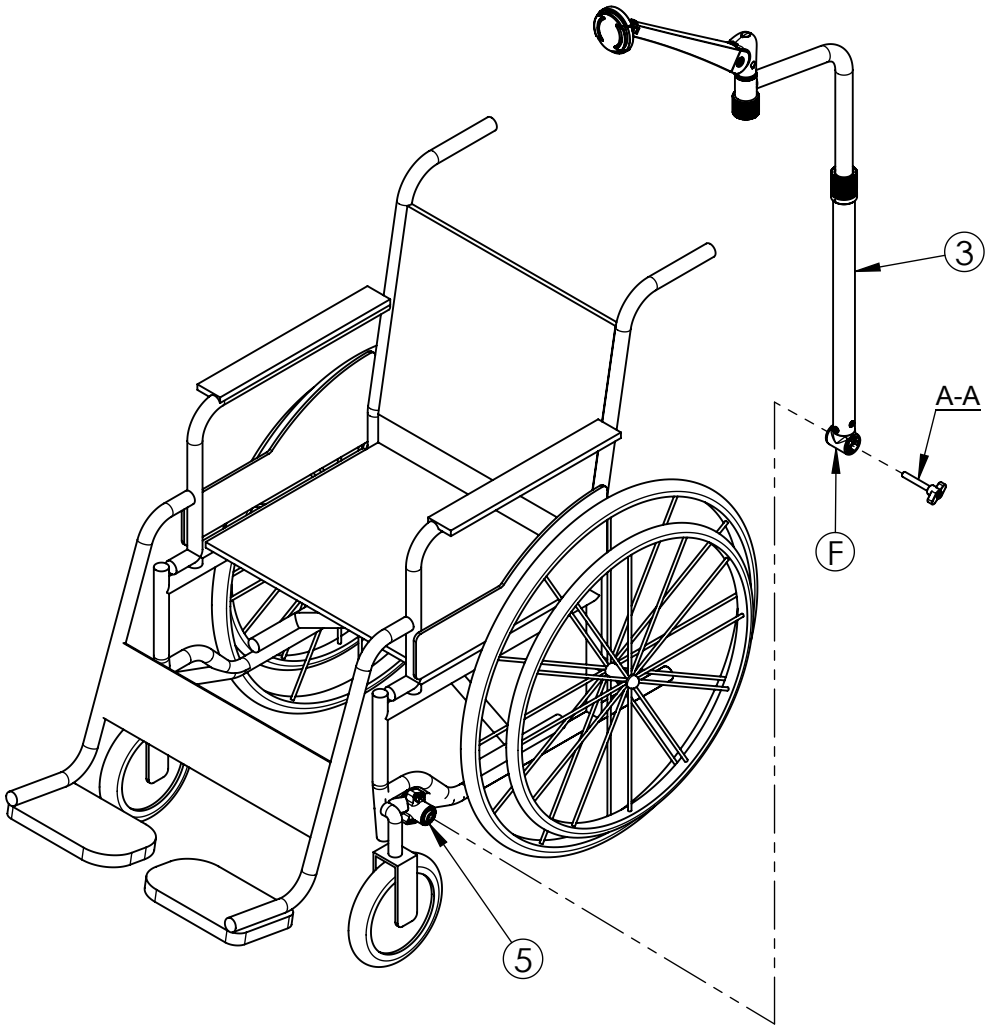
※ Enlarged view after assembling



※ Please check if there is a nut installed before assembling.

Installation steps :

3. Insert A-C through ④ till end .
4. Clip ④ & ⑤ onto the desired tube and then turn A-B until tight.



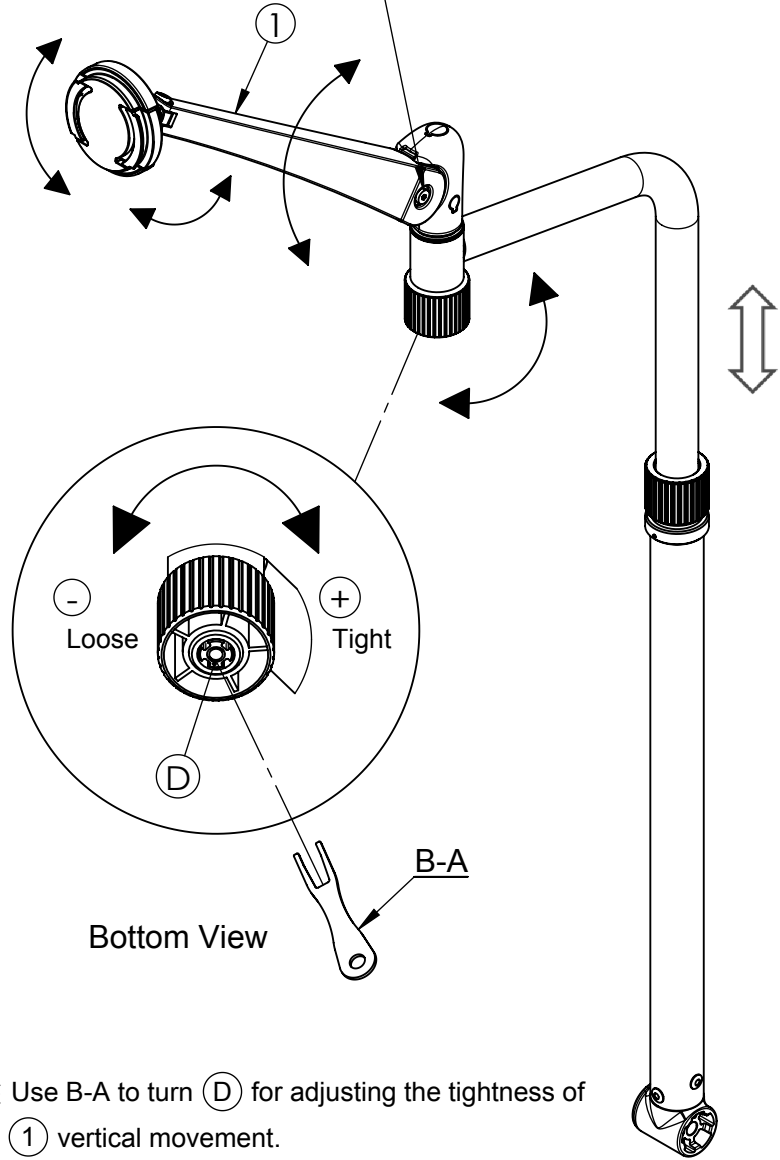
Installation steps :

5. Enter (F) and combine with (5) .

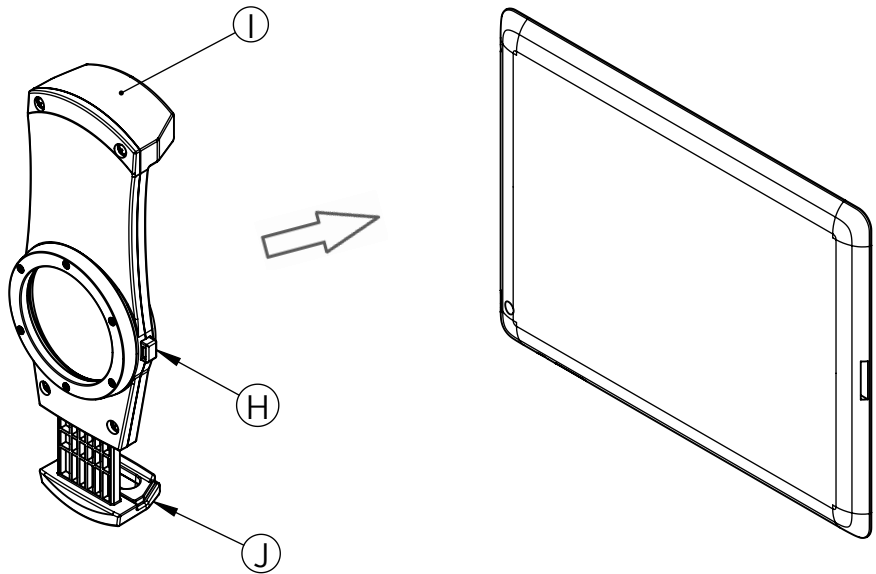
※ Convex on (5) should match concave on (F) .

6. Adjust your desired view and then turn A-A until tight.

Use "B-B"+"B-C" tools to adjust the tightness of all screws on three knuckles.



※ Use B-A to turn (D) for adjusting the tightness of (1) vertical movement.

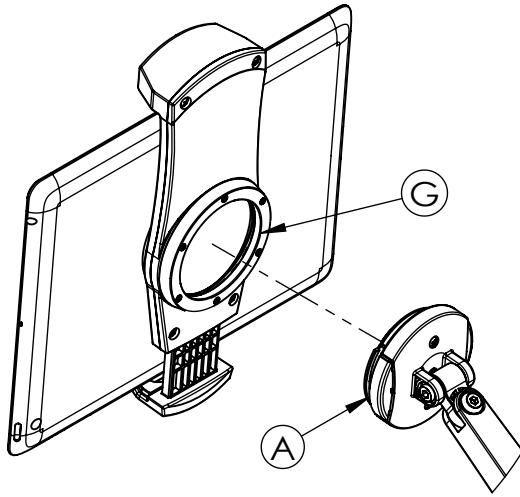


Attachment Description 1 : Press (H) and stretch (J) till larger than the length of tablet.
Then release (H) .

Attachment Description 2 : Put tablet onto (I) and press (H) . Push (J) back to fasten tablet.

Attachment Description 3 : After tablet is fastened, release (H) .

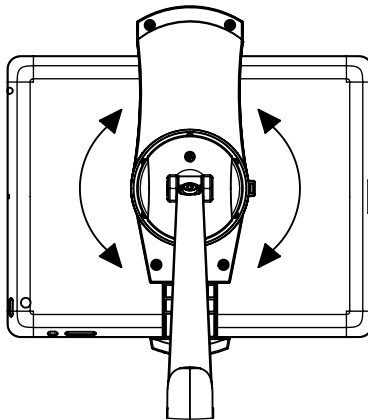
* Note : After attaching, please check if these two items are fastened well for preventing tablet sliding and damaged.



Attachment Description 4 : Press (A) to take off or attach (G) .

* Note : After attaching, please check if these two items are fastened well for preventing tablet sliding and damaged.

Attachment Finished



Attachment Description 5 : After attaching, turn tablet clockwise or anti-clockwise to get the best view.